
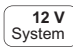

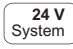

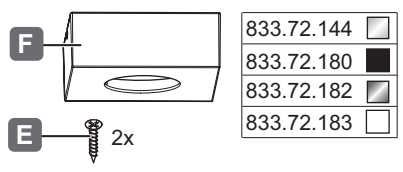
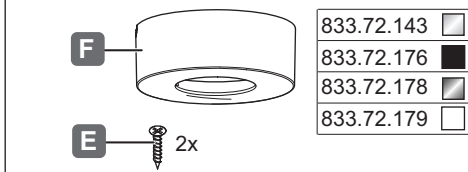
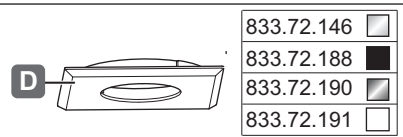
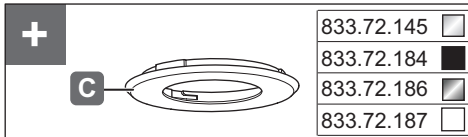
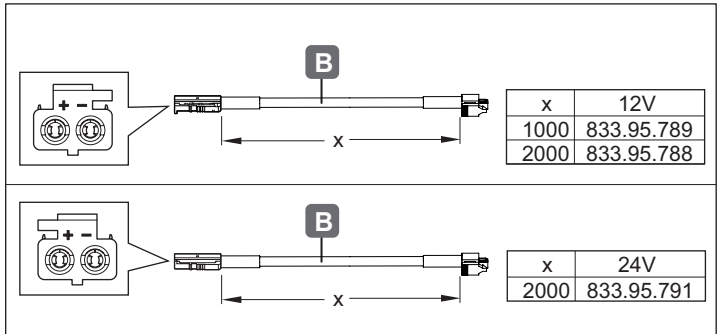
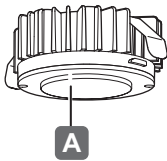


LED 2040/3008

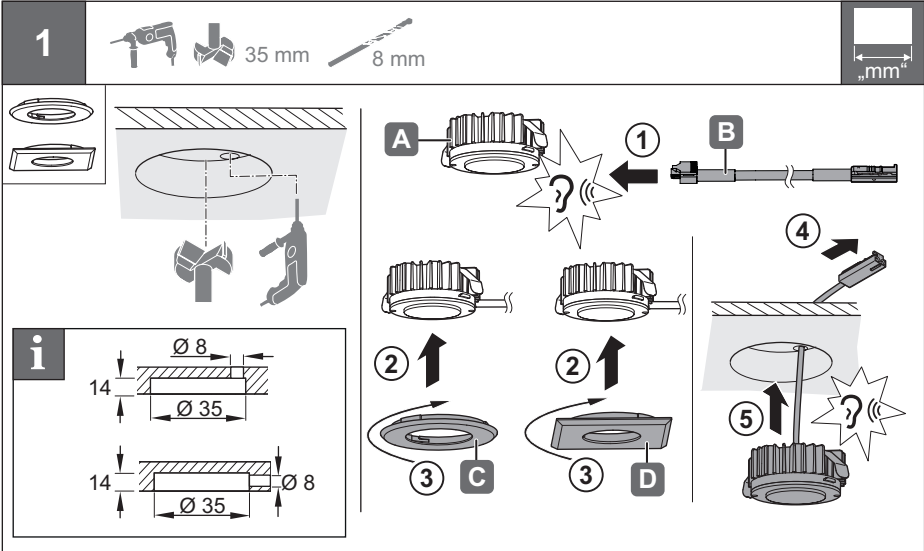
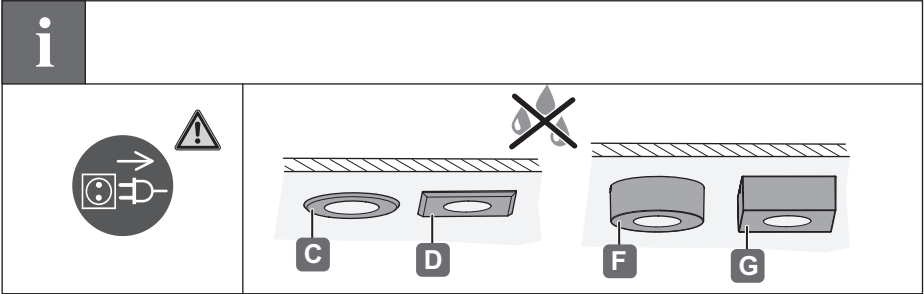
833.72.560	833.72.563	833.75.562
833.72.561	833.75.560	833.75.563
833.72.562	833.75.561	

	K	V	W	T _A	 mm			
833.72.560	2700		1.5	-20 °C – +35 °C -4 °F – +95 °F	 38.5 x 15			
833.72.561	3000							
833.72.562	4000							
833.72.563	5000							
833.75.560	2700					1.5	-20 °C – +35 °C -4 °F – +95 °F	 38.5 x 15
833.75.561	3000							
833.75.562	4000							
833.75.563	5000							

732.28.527



HDE 02.03.2022



732.28.527

HDE 02.03.2022

1

8 mm 2 mm

mm

Diagram 1 illustrates the mechanical installation of the ceiling light fixture. It shows the preparation of the ceiling with an 8mm hole and a 2mm hole, the insertion of a mounting bracket (A) with a screw (B), the attachment of the light fixture (3), and the final assembly with a diffuser (F) or cover (G). Dimensions for the ceiling hole are given as ≥ 20 mm and ≤ 13.5 mm. The distance between the mounting holes is 25.6 mm. The diameter of the mounting hole is 8 mm, and the diameter of the light fixture is 2 mm.

732.28.527

2

Diagram 2 illustrates the electrical connection of the light fixture. It shows a power source with 12V and 24V outputs connected to the light fixture, which is then connected to a light bulb.

HDE 02.03.2022

732.28.527

HDE 02.03.2022