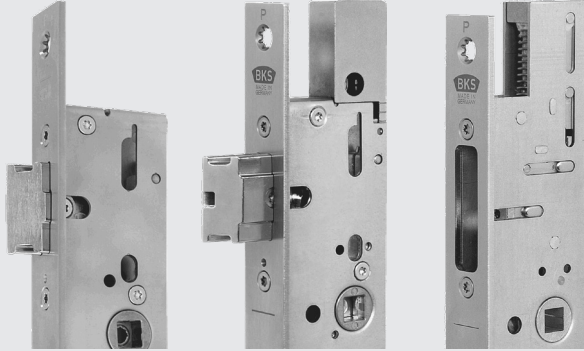


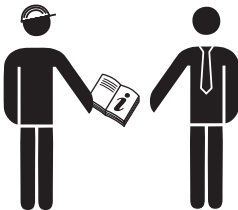
GU

Designed in Germany
C59841030 | 07 | 04.2018
212915



TÜRTECHNIK | DOOR TECHNOLOGY

B-18xxx | B-189xx | B-19xxx
B-197xx | B-198xx | B-1990x



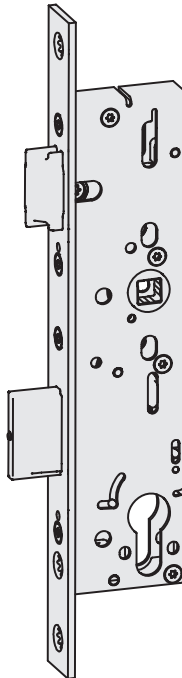
C59646000!

Vorsprung mit System
Securing technology for you

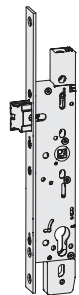
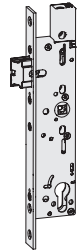
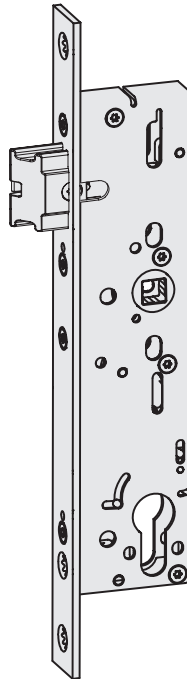




1. B-18xxx



2. B-19xxx

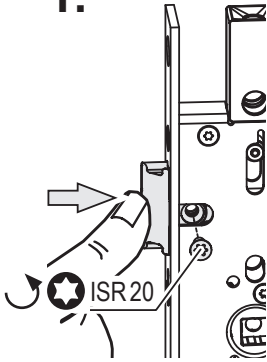




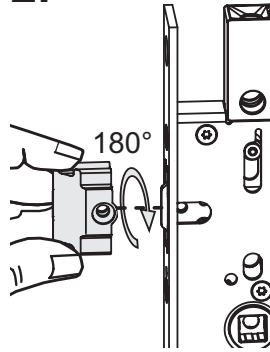
3.



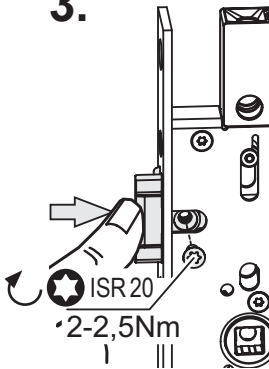
1.



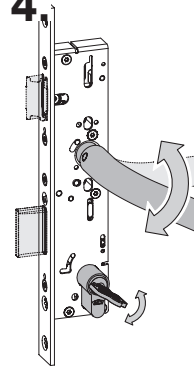
2.

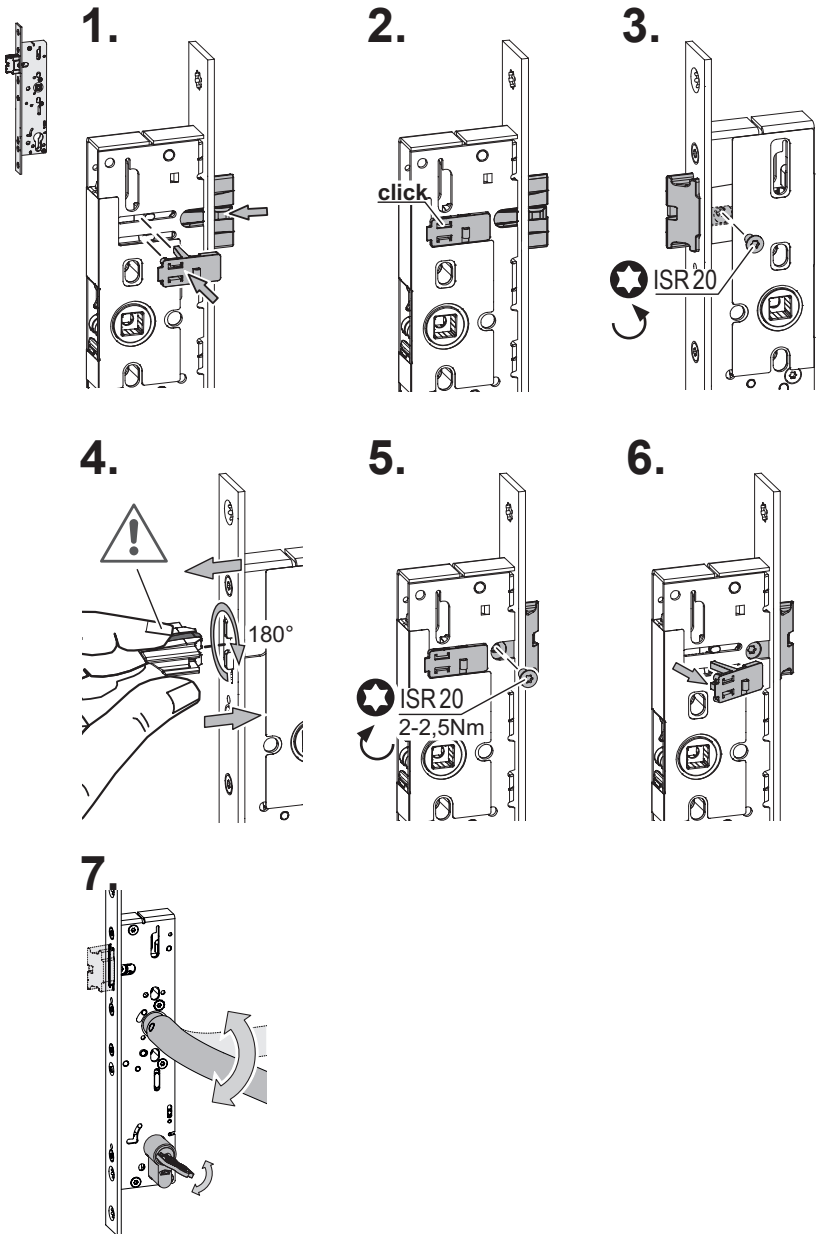


3.



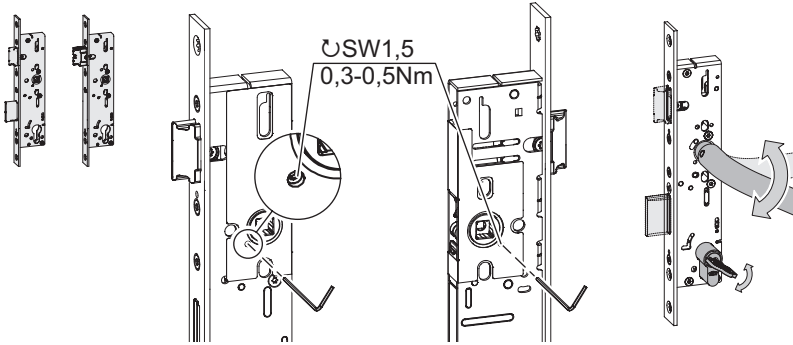
4.



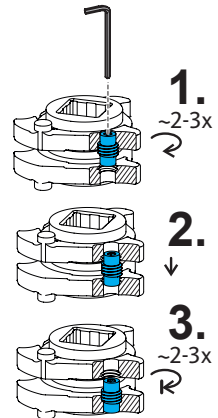




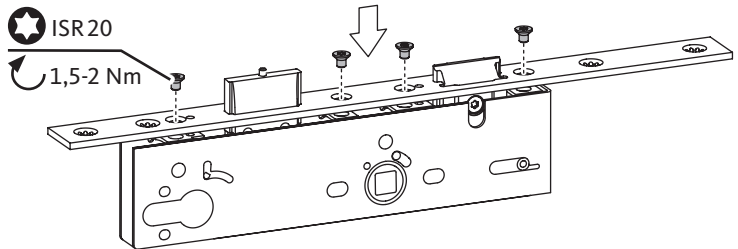
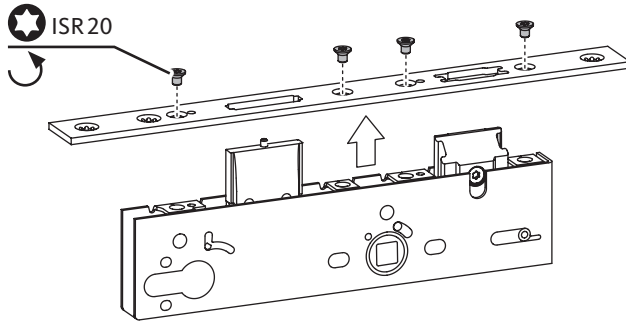
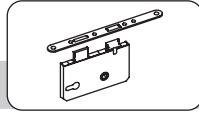
4.



| | |
|---------|---------|
| | |
| EN 179 | EN 179 |
| EN 1125 | EN 1125 |



5.

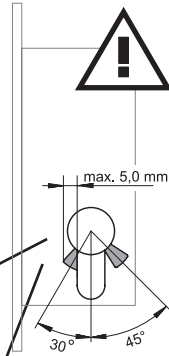
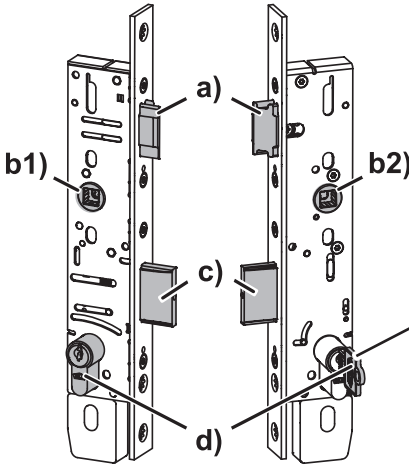




6.



DIN VDE 0100, DIN VDE 0160, DIN VDE 0632



IP30

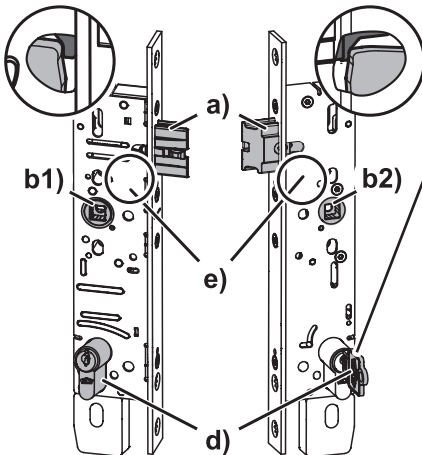
°C +60°C
-20°C

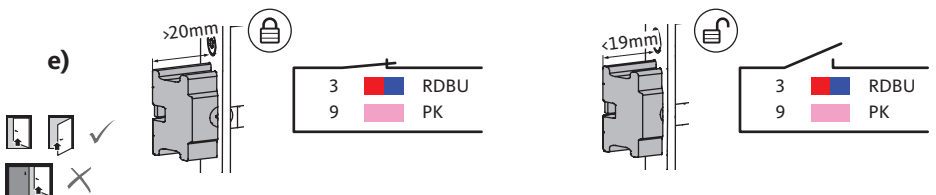
≤95%
40°C

EN III
50131-1

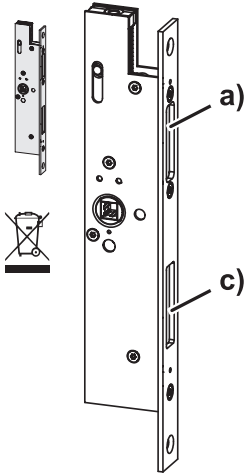
EN III
1670 (96h)

P_{max} 1W
 I_{max} 100mA DC
 U_{max} 30V DC
 (9V/100mA;
 12V/80mA;
 24V/40mA;
 30V/30mA)





IEC 60757



IP30

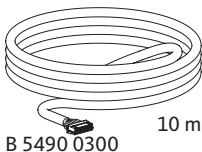
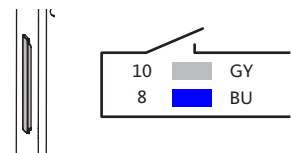
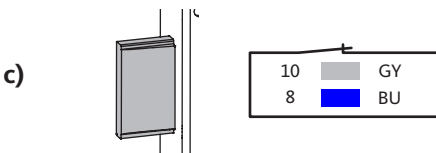
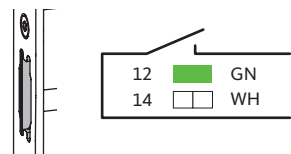
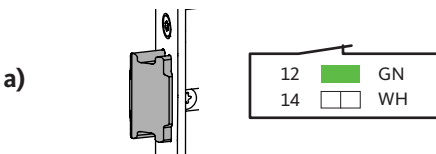
°C +60°C
-20°C

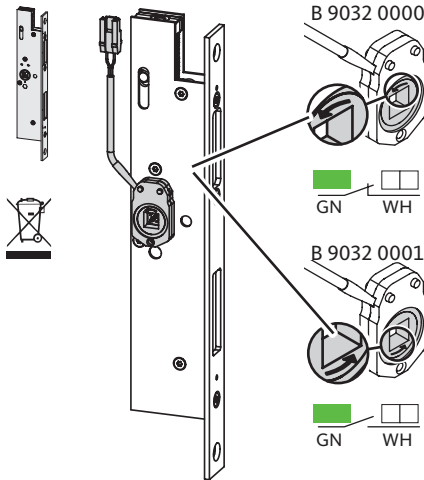
$\sigma \leq 95\%$
40°C

EN 50431-1 III

EN 1670 III (96h)

P_{max} 1W
 I_{max} 100mA DC
 U_{max} 30V DC
(9V/100mA;
12V/80mA;
24V/40mA;
30V/30mA)





IP30

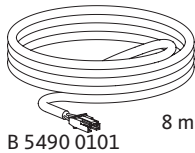
EN III
50131-1

°C +60°C
-20°C

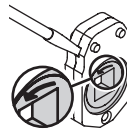
EN III (96h)
4670

$\varnothing \leq 95\%$
40°C

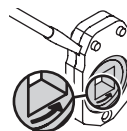
P_{max} 1W
 I_{max} 100mA DC
 U_{max} 30V DC
(9V/100mA;
12V/80mA;
24V/40mA;
30V/30mA)



B 5490 0101 8 m



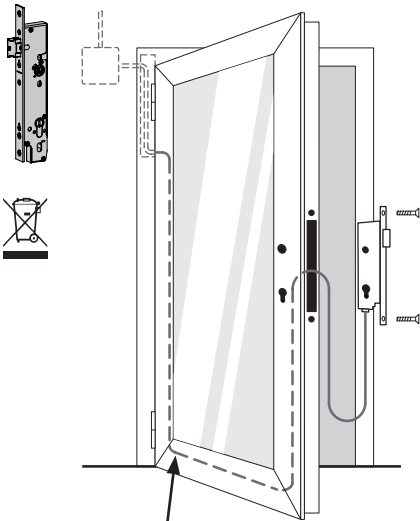
GN WH
B 9032 0000



GN WH
B 9032 0001

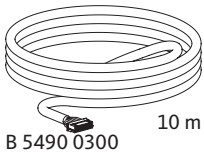
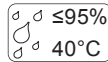
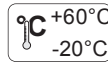


7. B-197xx / B-198xx

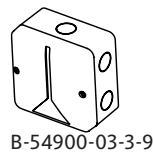


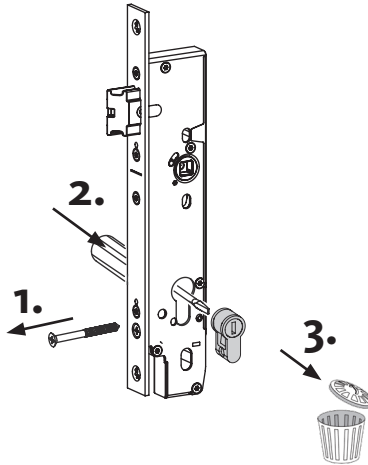
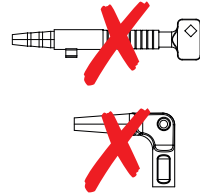
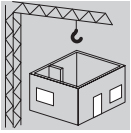
B 5490 0300

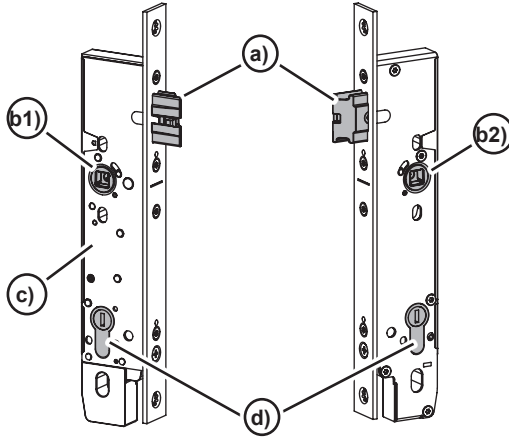
U_{max} 12-24 V DC \pm 15% \approx 100 mVpp
 I_{max} 250 mA
 I_{min} 20 mA
 ED 100%




 option



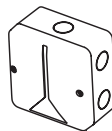








option



+



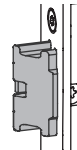
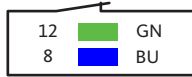
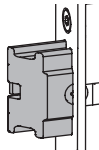
B-54900-03-3-9

| BKS BUS | B-54900-03-3-9 |
|----------------|--|
| LBA |  GY |
| LBB |  BK |
| +12 – +24 V DC |  BN |
| GND |  WH |

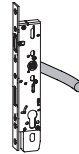
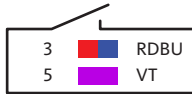
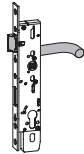
IEC 60757



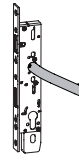
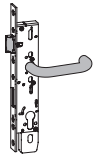
a)



b1)



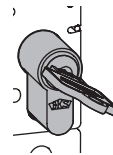
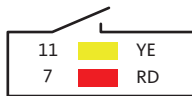
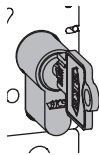
b2)



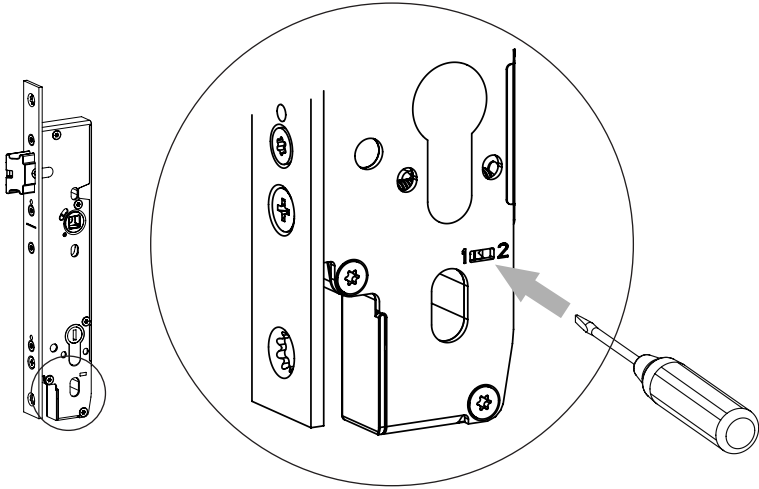
c)



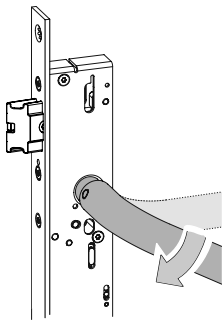
d)

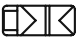


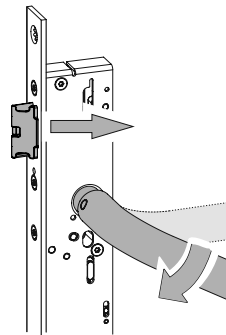
+12 - +24 V DC 13 BN
 GND 14 WH
 IEC 60757



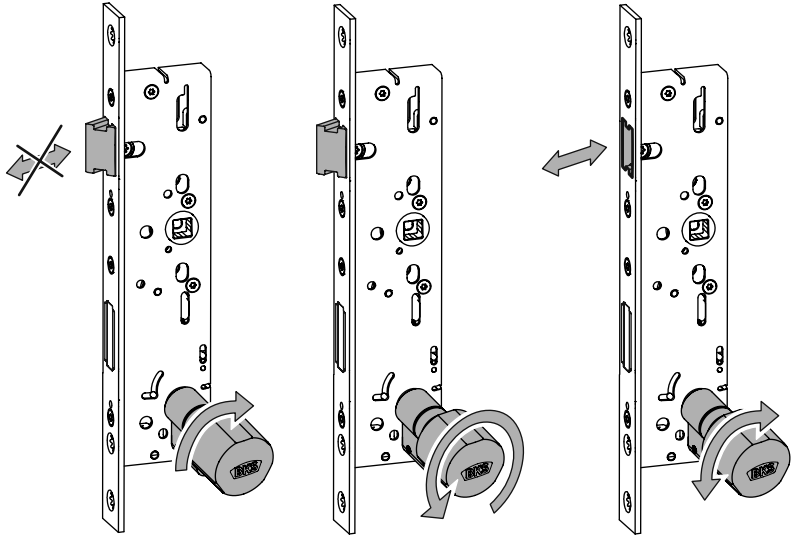
1 
 $U_{IN} = 0 V$



2 
 $U_{IN} = 0 V$



8.

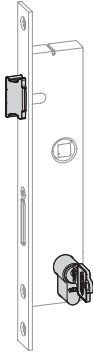




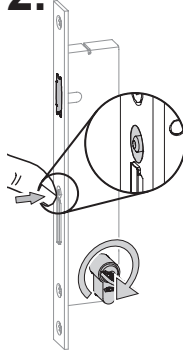
8.



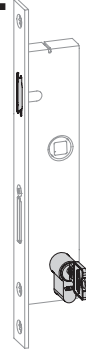
1.



2.



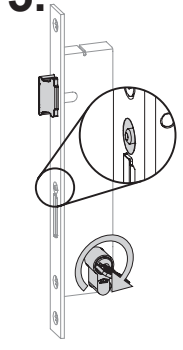
3.



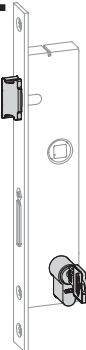
4.



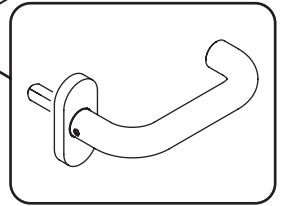
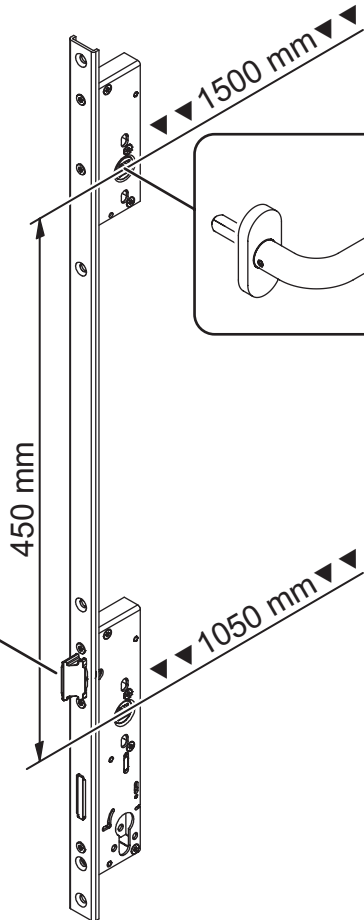
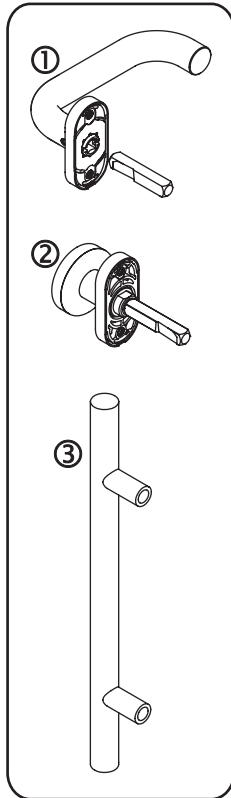
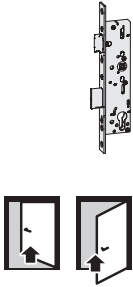
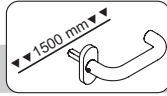
5.



6.

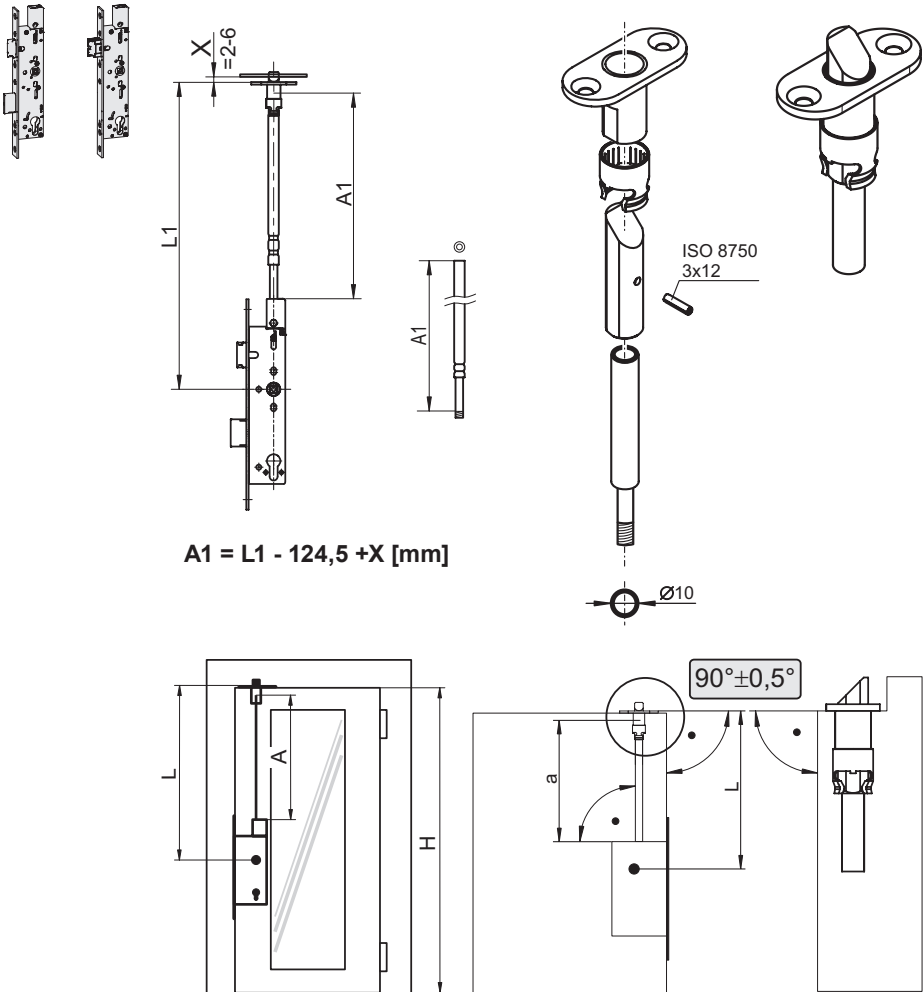


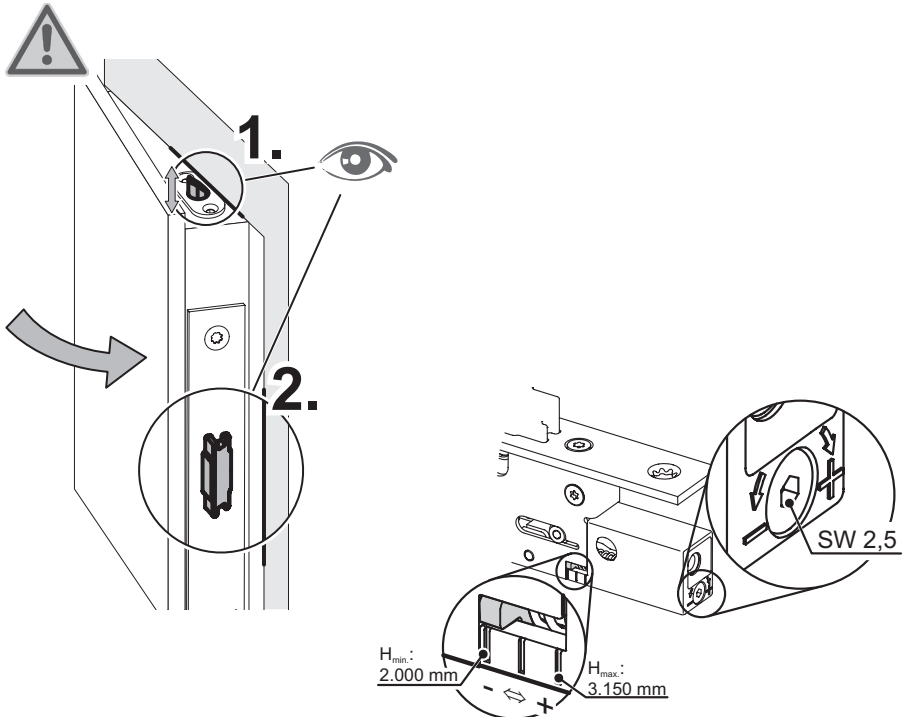
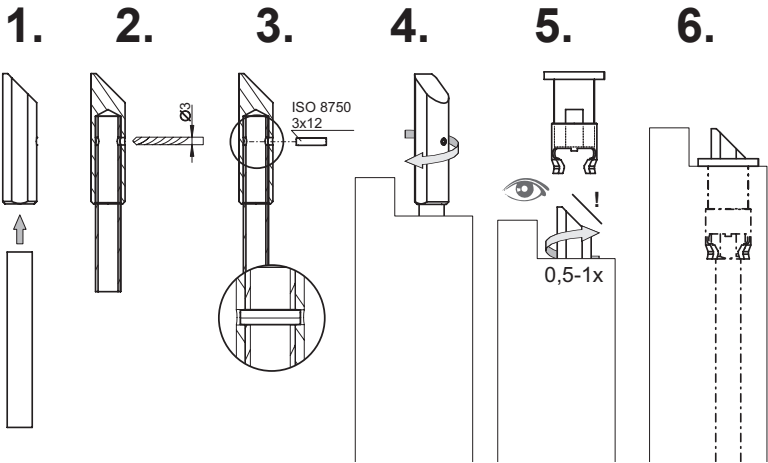
9.





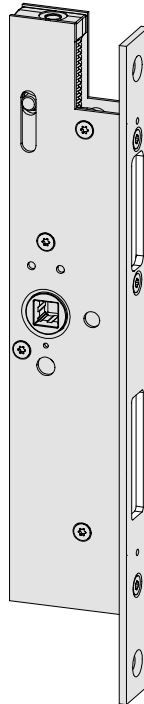
10. B-18xxx/B-19xxx + B 1795

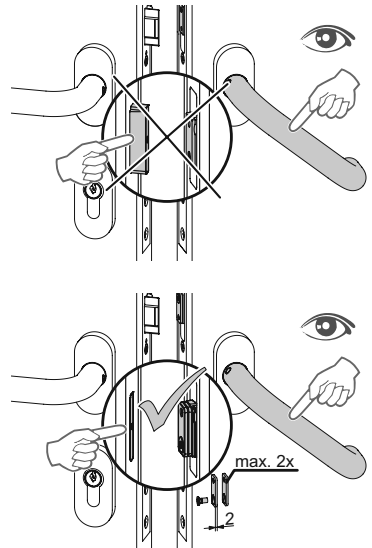
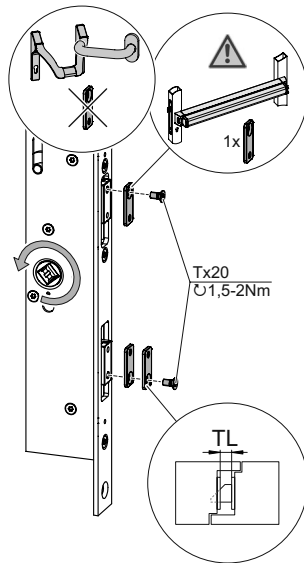






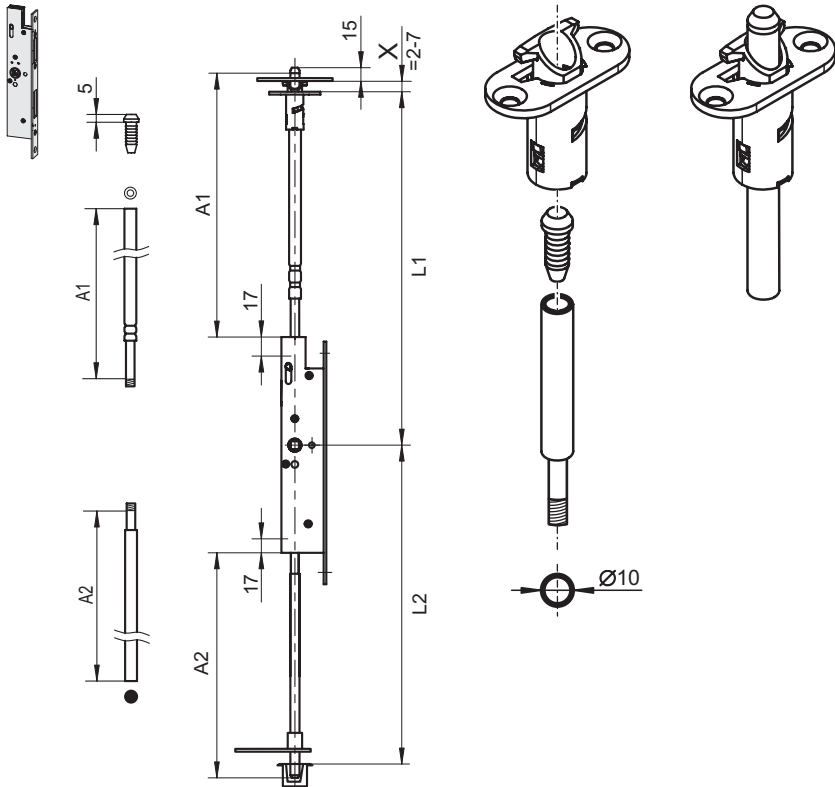
11. B-189xx / B-1990x





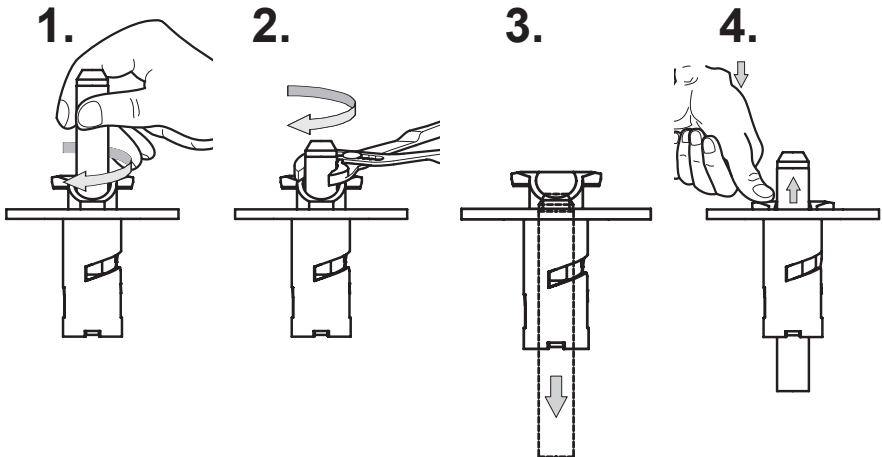
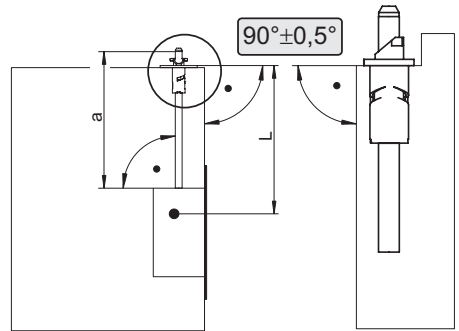
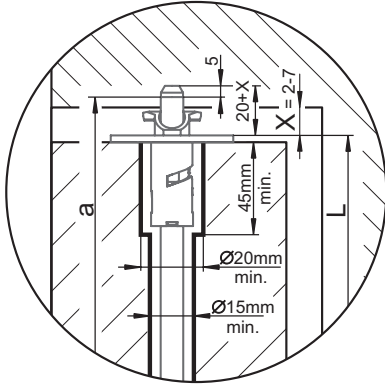


12. B-189xx/B-1990x + B 1895



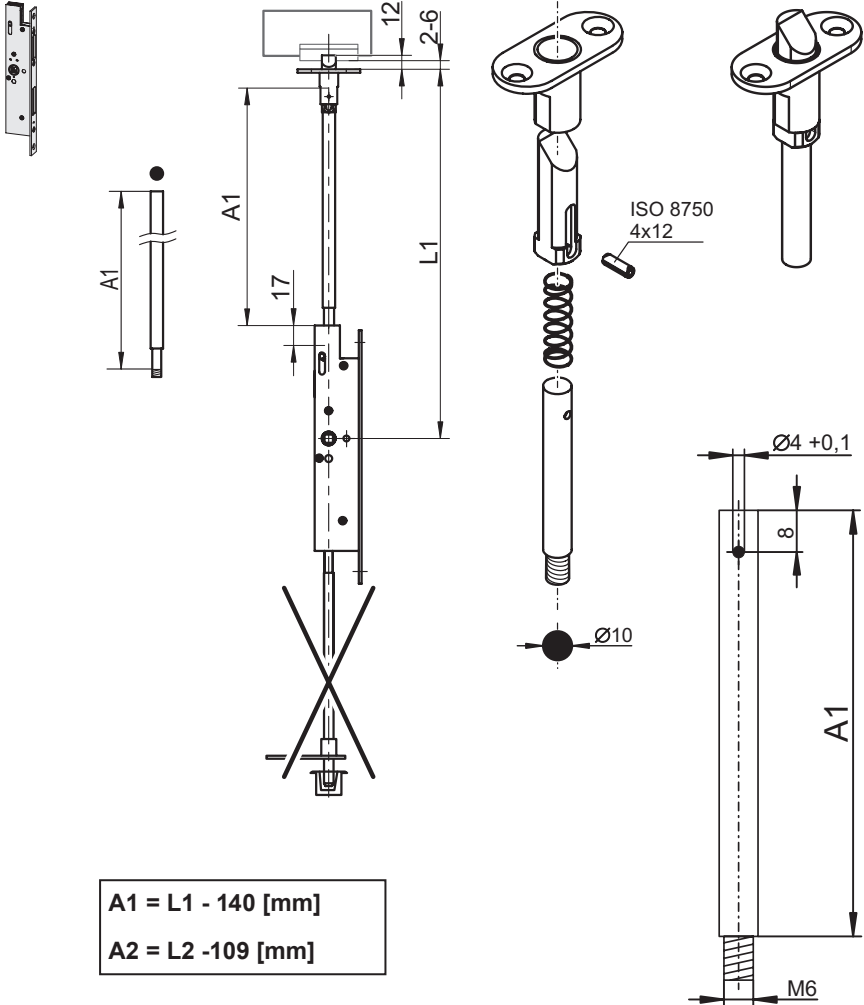
$$A1 = L1 - 110 + X \text{ [mm]}$$

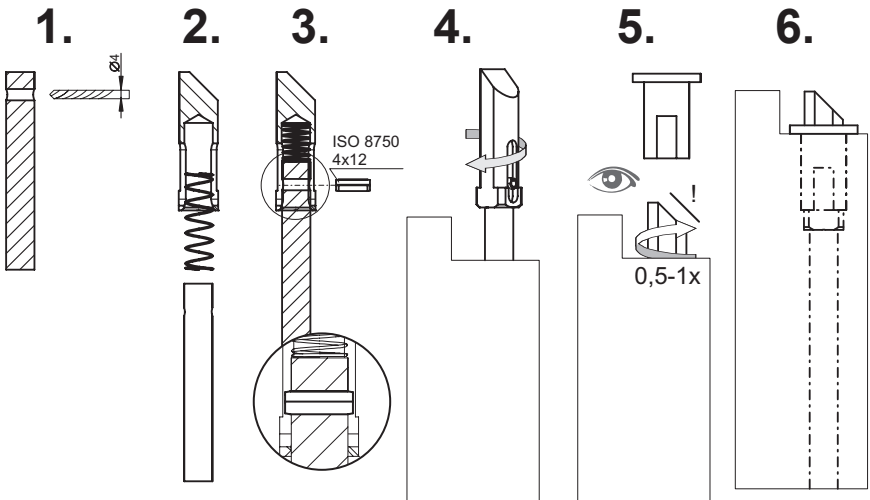
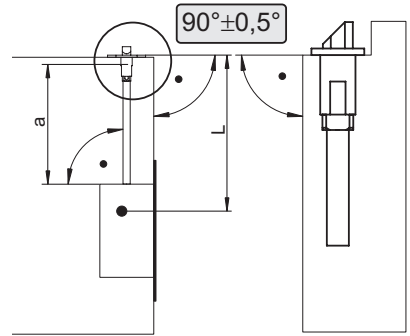
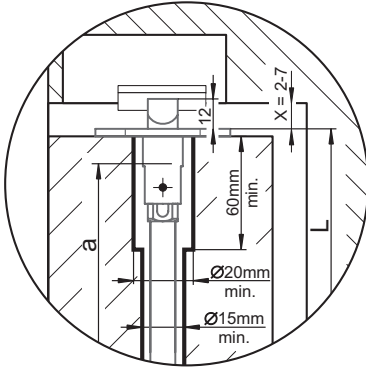
$$A2 = L2 - 109 \text{ [mm]}$$





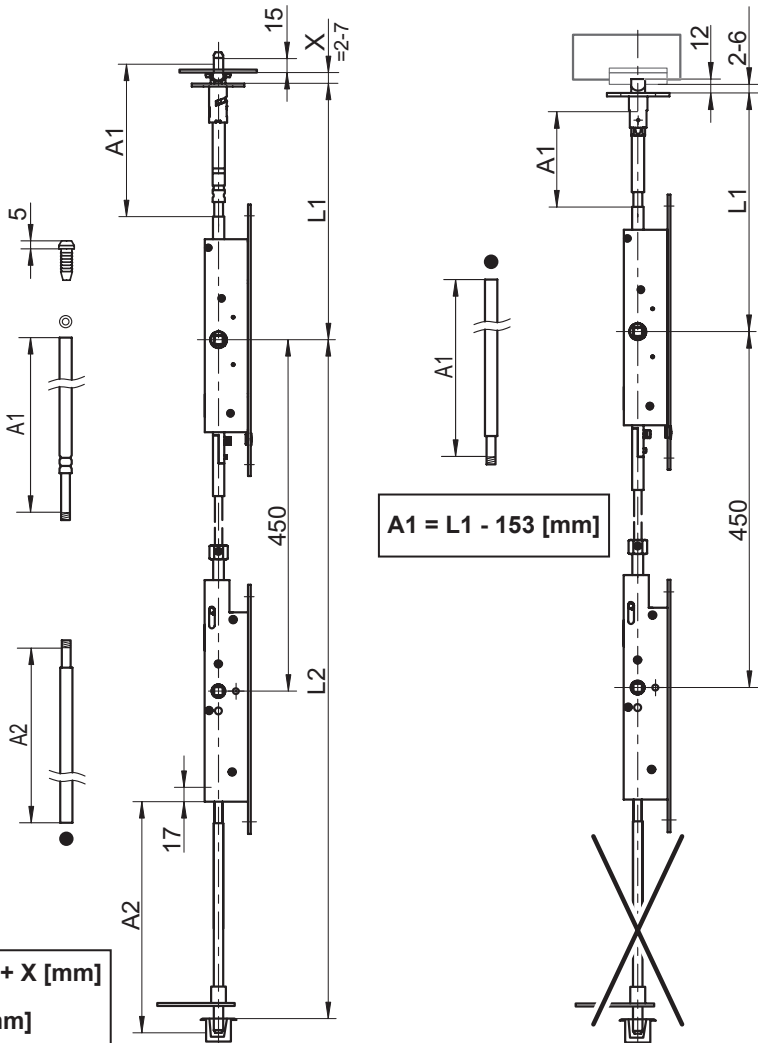
13. B-189xx/B-1990x + B 1796



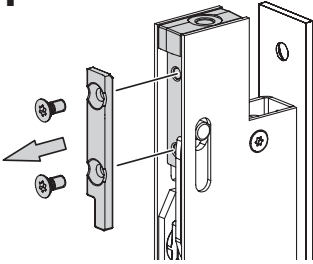




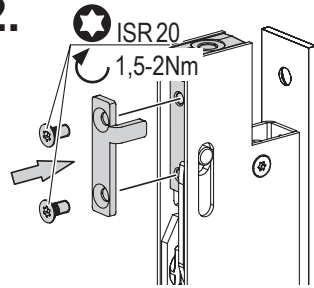
14. B 1798



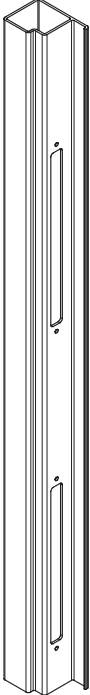
1.



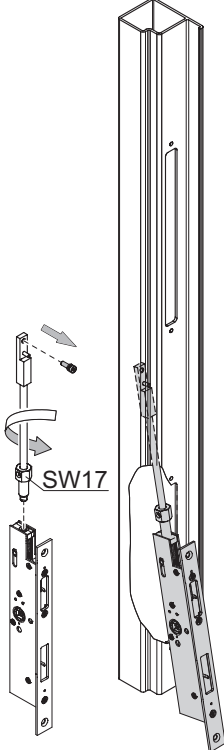
2.



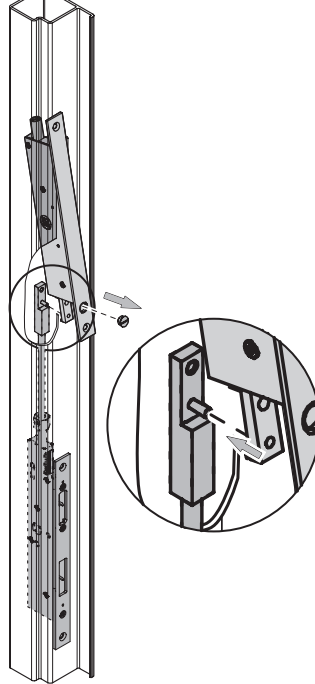
3.



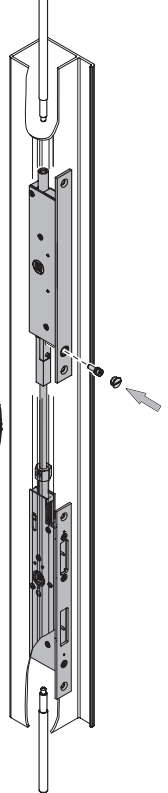
4.

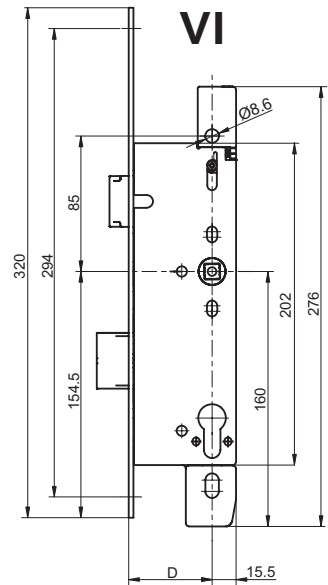
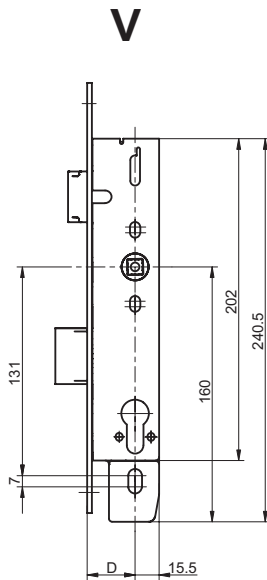
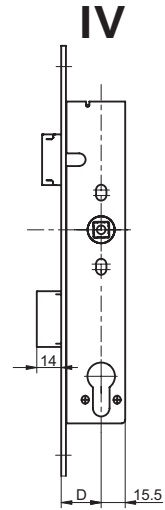
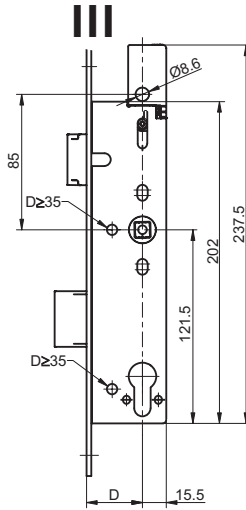
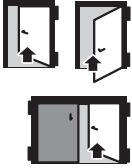


5.



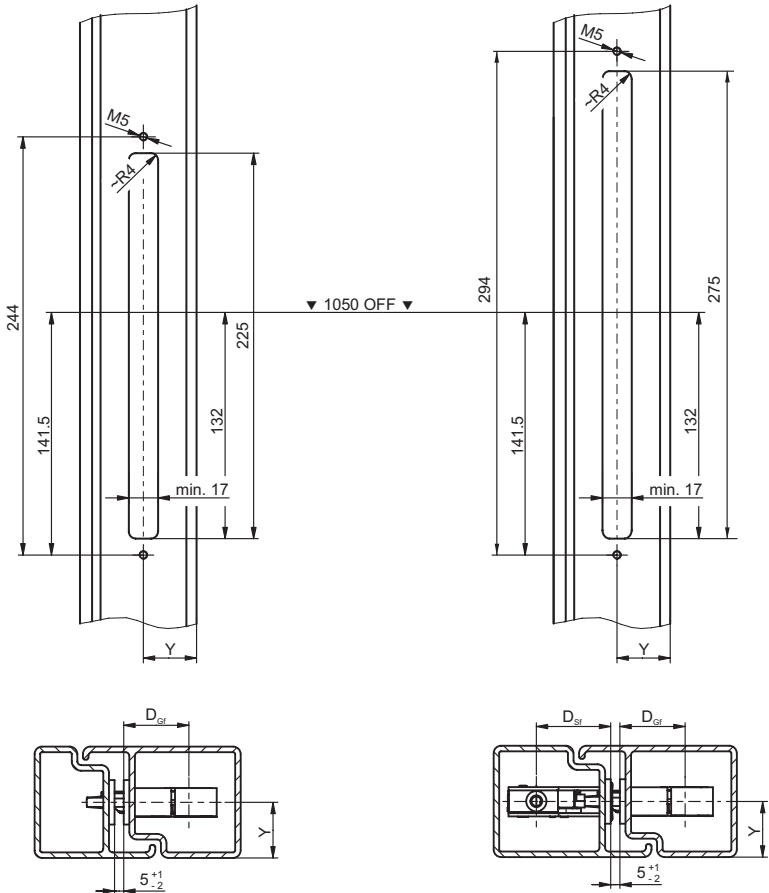
6.

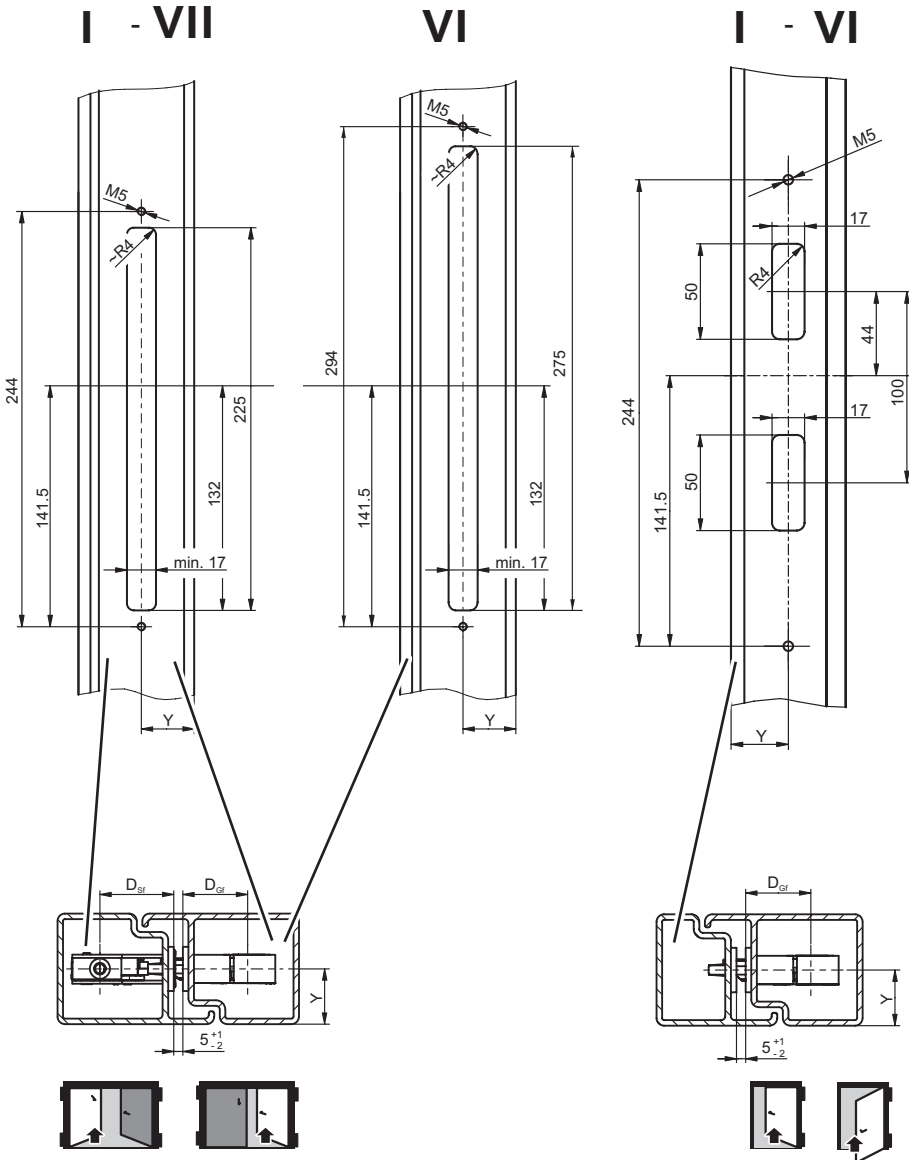


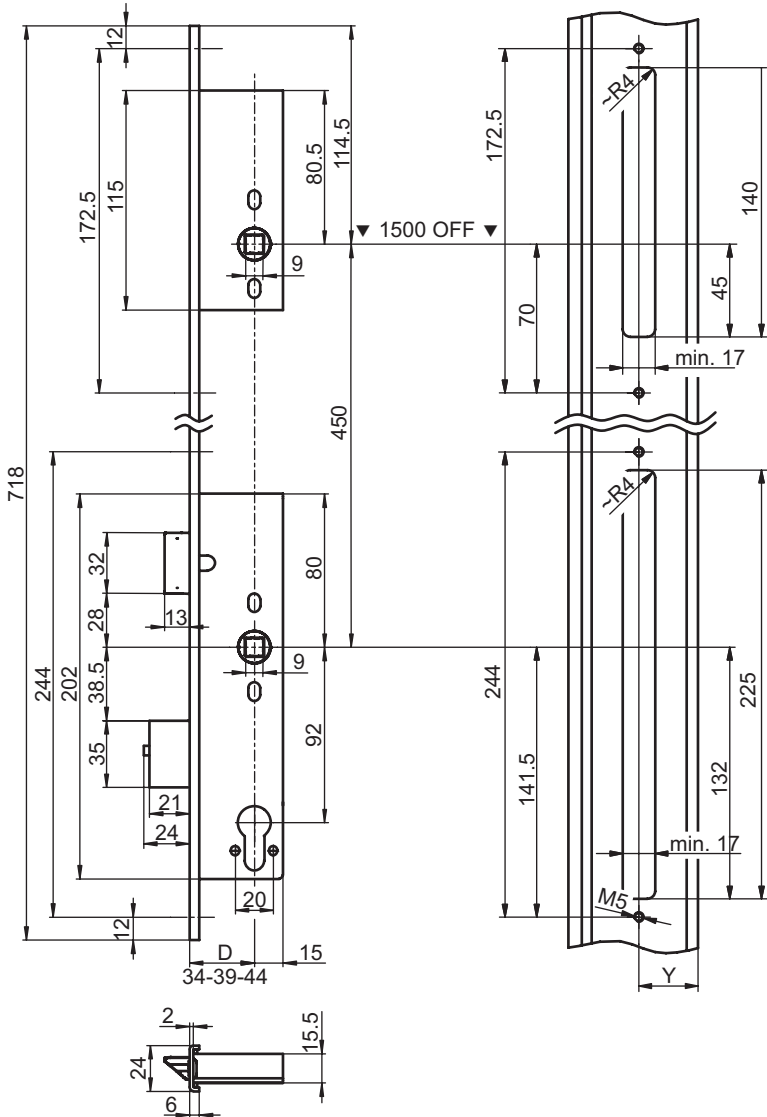




VII









Herausgeber | Editor:

BKS GmbH

Heidestr. 71

D-42549 Velbert

Tel. +49(0)2051 2 01-0

Fax +49(0)2051 2 01-97 33

www.g-u.com

Fehler, Irrtümer und technische Änderungen vorbehalten.
Errors and omissions reserved. Subject to technical modifications.
Sous réserve d'erreurs et de modifications techniques.
Reservado el derecho a realizar modificaciones técnicas. Salvo error u omisión.