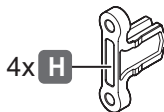
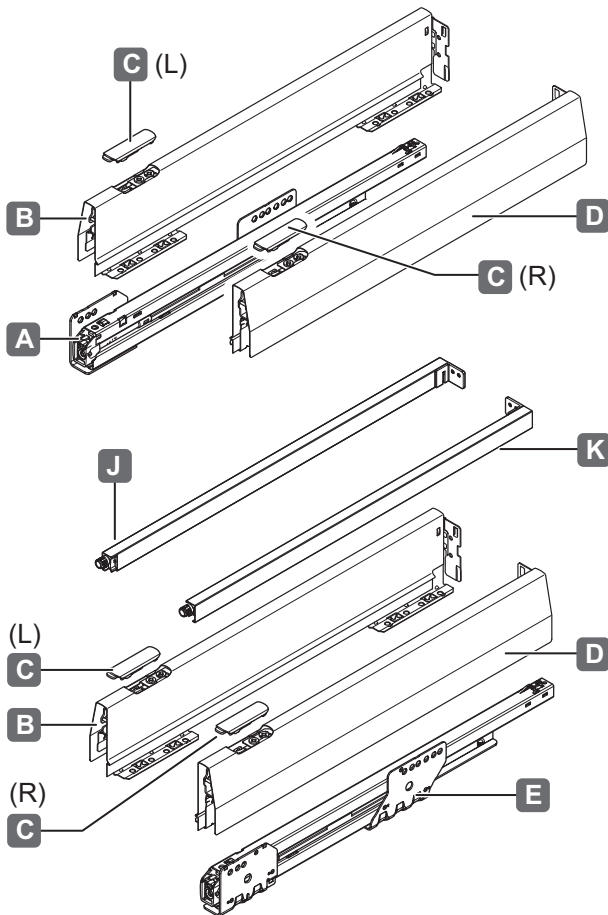


513.55.303	513.55.703
513.55.304	513.55.704
513.55.305	513.55.705
513.55.306	513.55.706
513.55.503	513.55.903
513.55.504	513.55.904
513.55.505	513.55.905
513.55.506	513.55.906

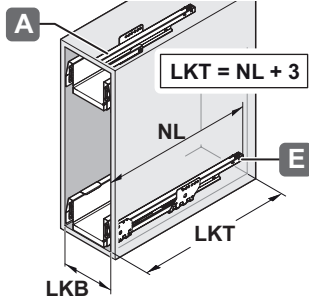


732.25.143

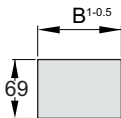
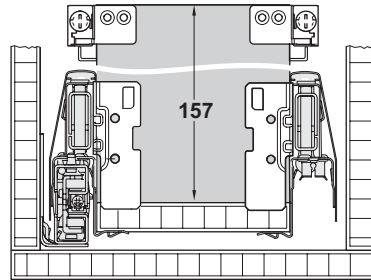
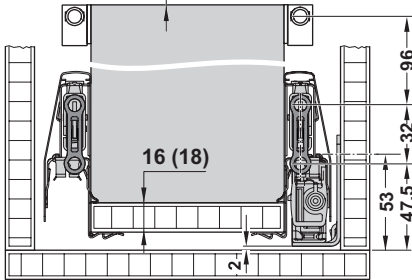
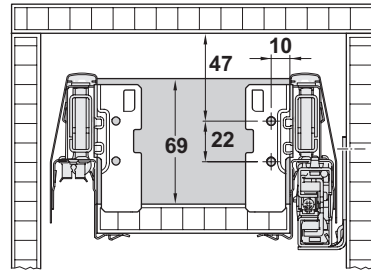
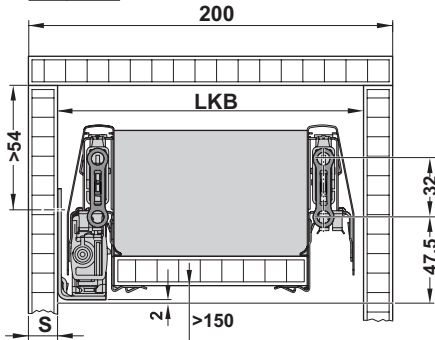


HDE 29.09.2022

i



S	LKB
19	162
18	164
16	168

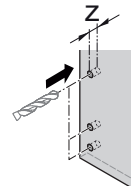


2x

$B = LKB - 62$



$T = NL - 3$



J/K Ø 10/ z=13

F Ø 5/ z=12^{+0.5}

G Ø 10/ z=12^{+0.5}

732.25.143

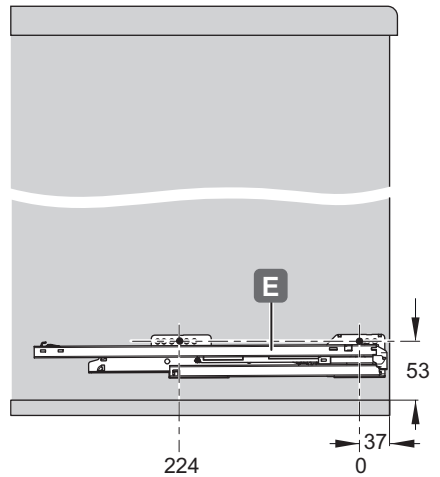
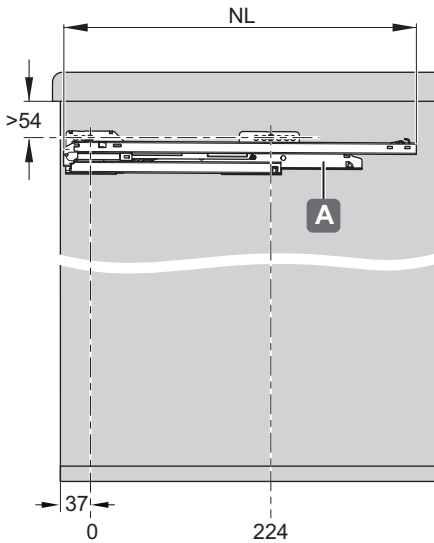
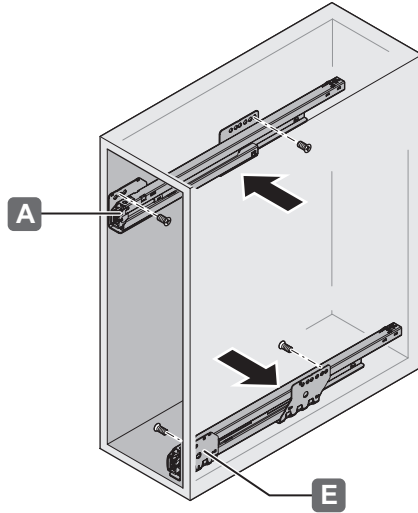
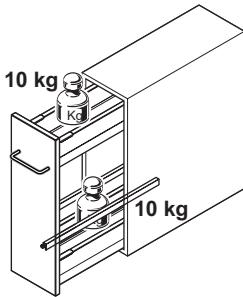
HDE 29.09.2022

1



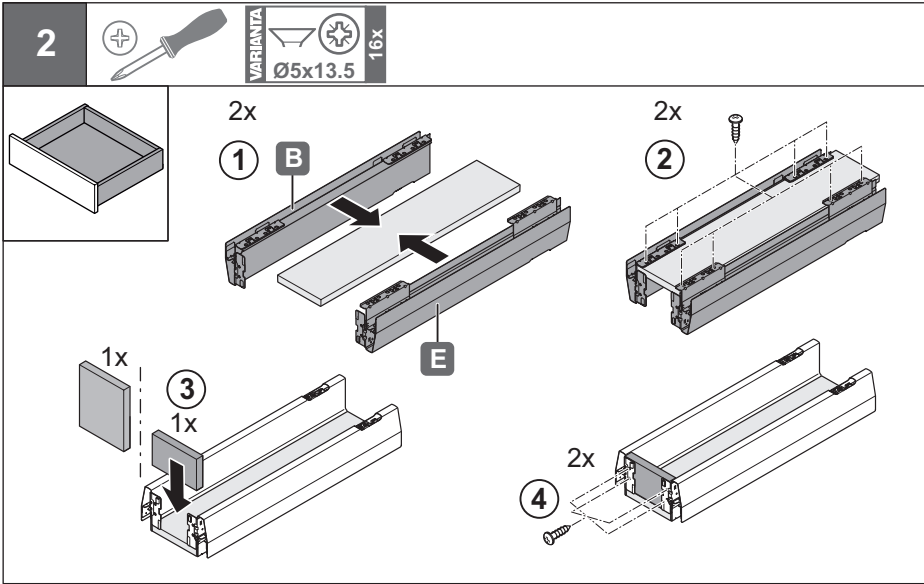
VARIANTA
Ø5x13.5
4x

„mm“

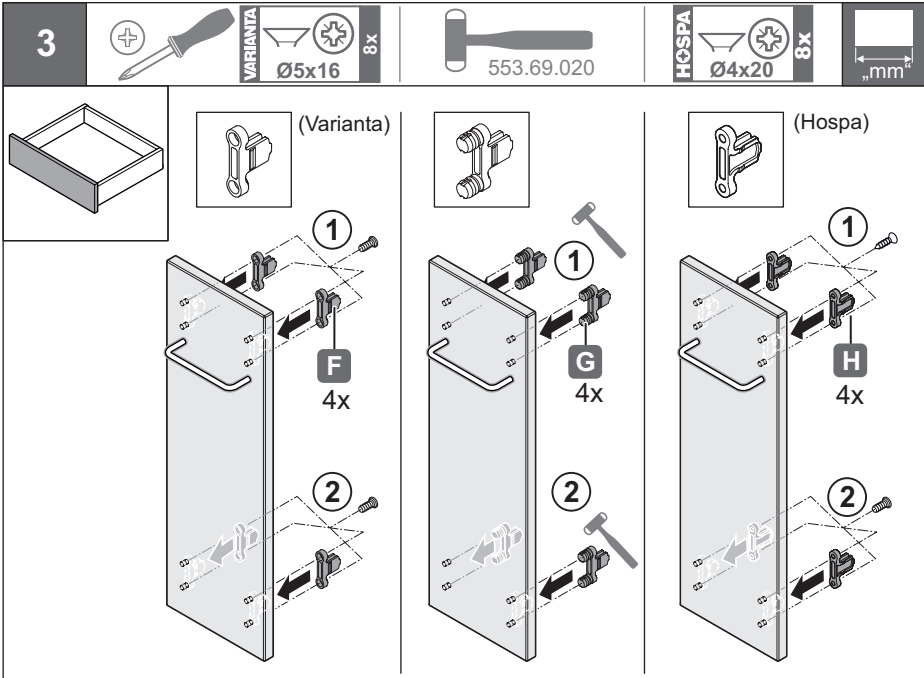


732.25.143

HDE 29.09.2022

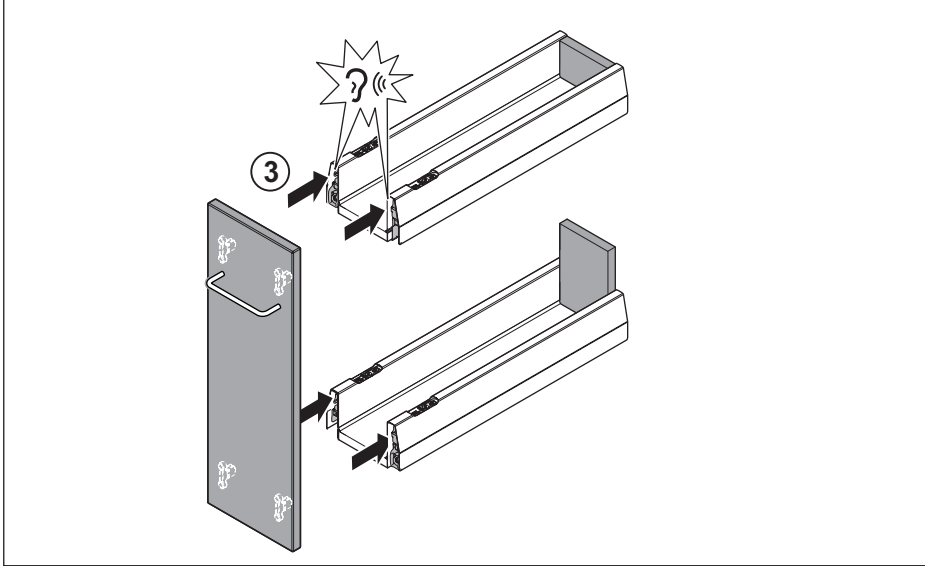


732.25.143



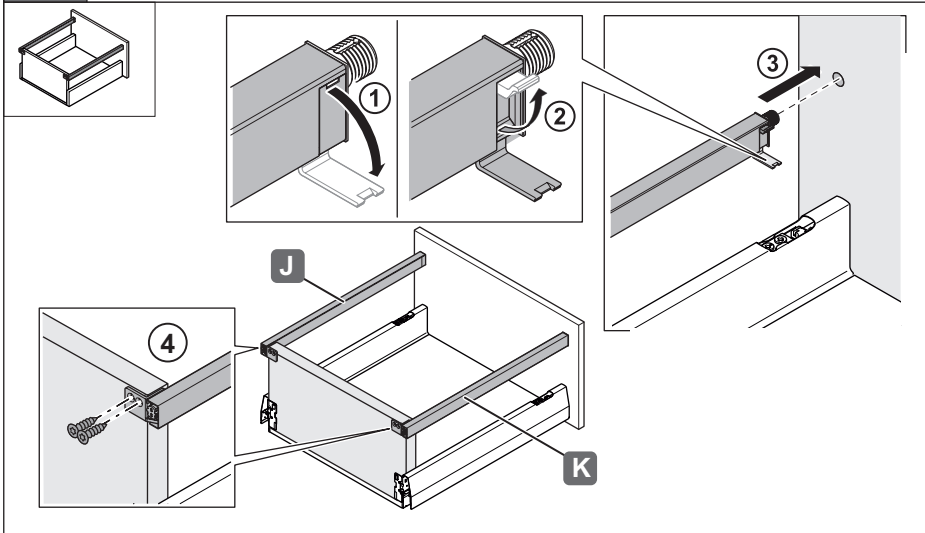
HDE 29.09.2022

4



732.25.143

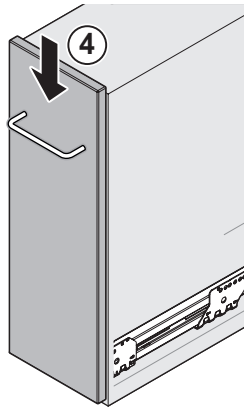
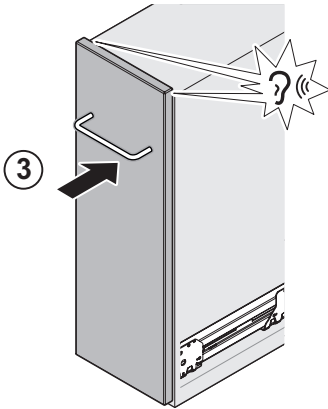
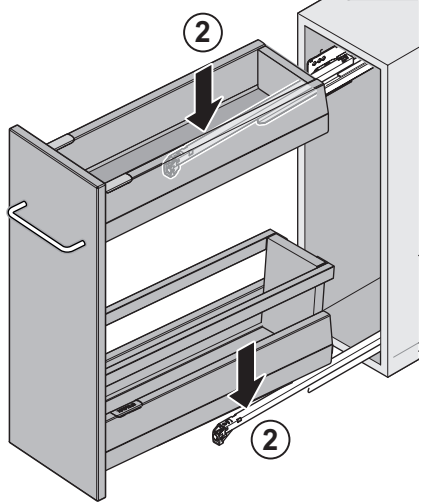
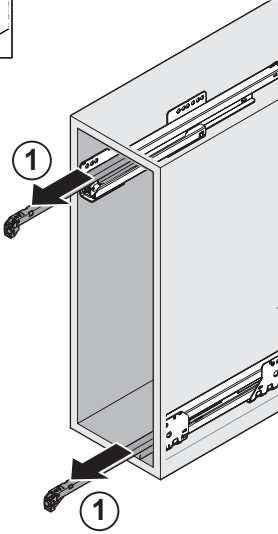
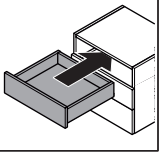
5



HDE 29.09.2022

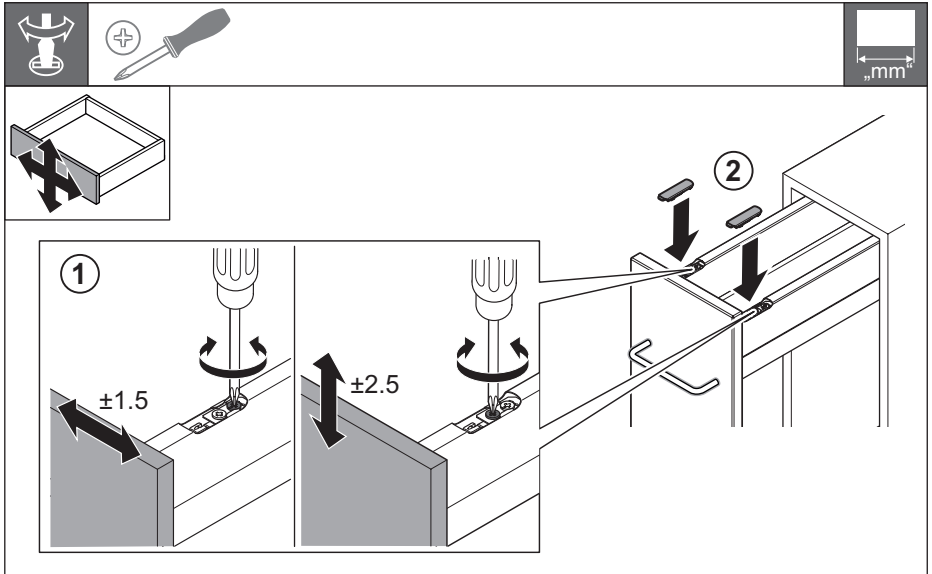
6

mm



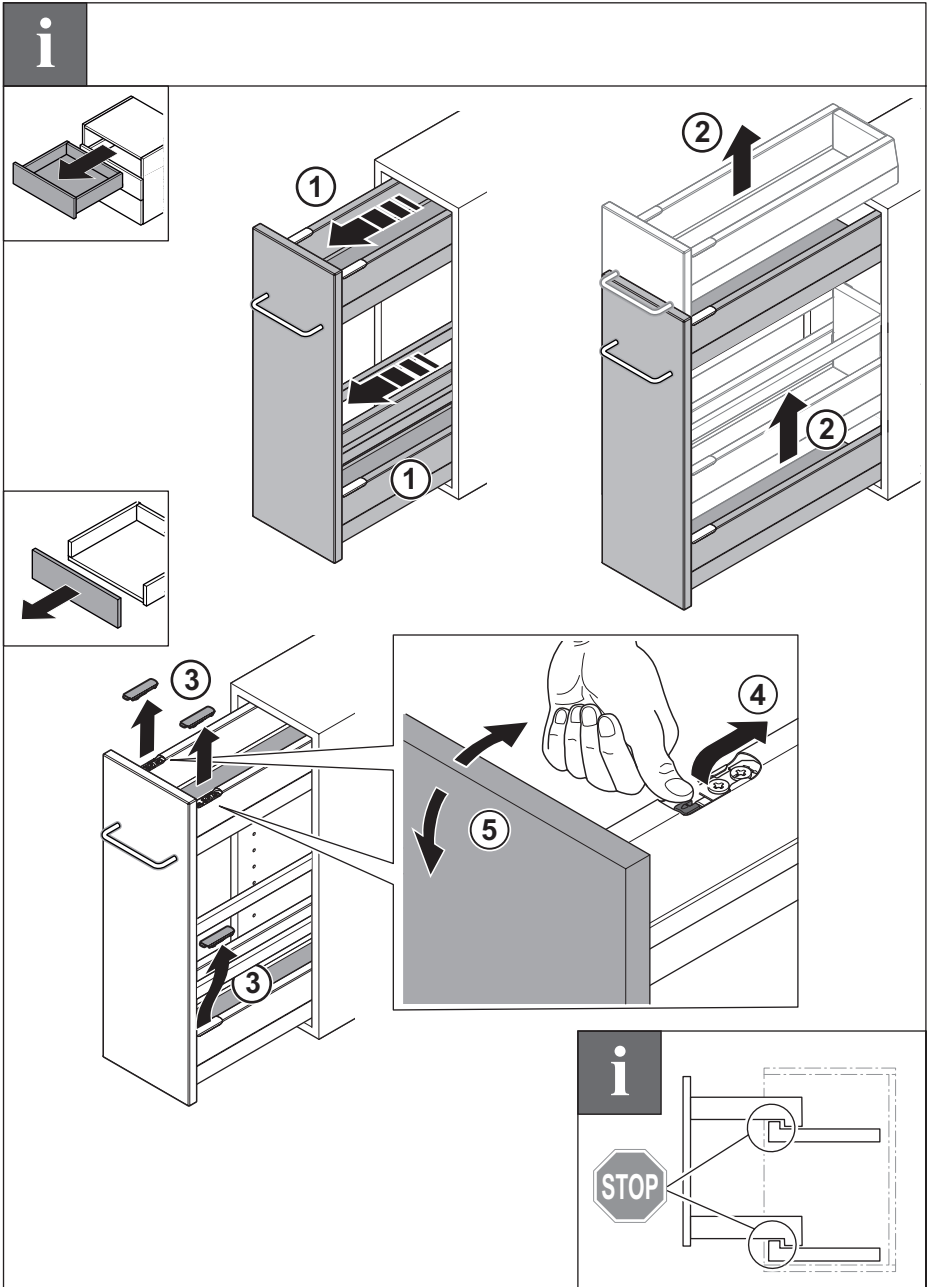
732.25.143

HDE 29.09.2022



732.25.143

HDE 29.09.2022



732.25.143

HDE 29.09.2022